

# SYMMETRIX® Single Handle Kitchen Faucet

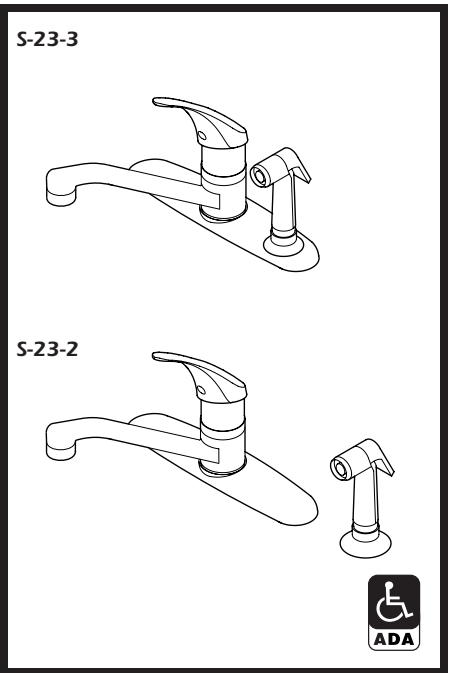
- S-23-3: With hose and spray mounted on escutcheon
- S-23-2: With hose and spray
- S-23-1: With swivel spray aerator in place of hose and spray
- S-23: Faucet only

**Symmetrix** Single Lever Kitchen Faucet with ceramic control components, handle limit stop, and red/blue indicators on handle. 8 3/4" swing spout with aerator, 3/8" supplies, 8" centers, metal construction, polished chrome finish.

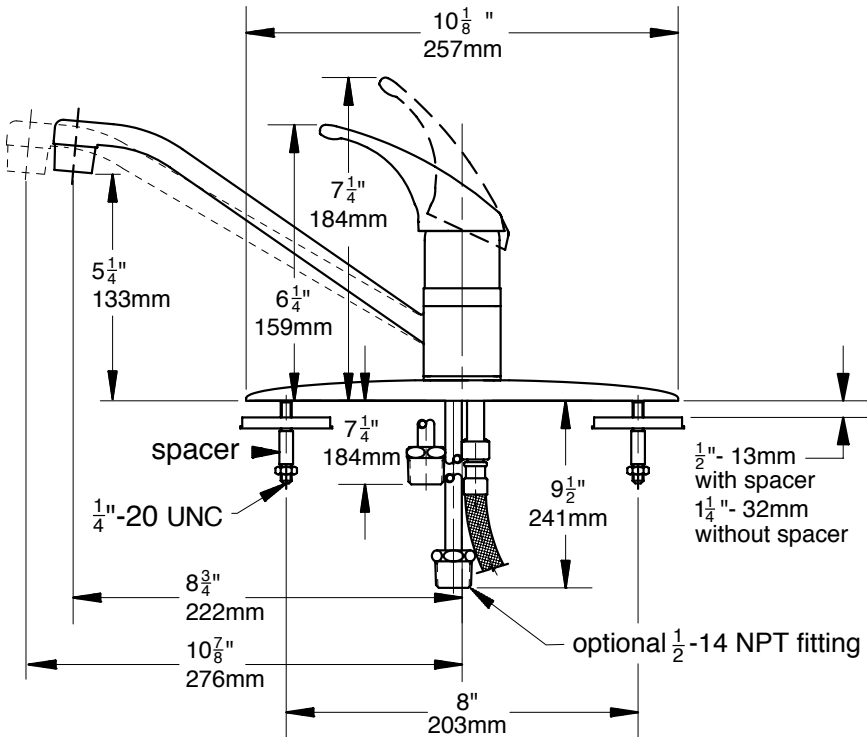
## Modifications:

### Add:

- Suffix LP: Loop handle
- Suffix W: 6" lever handle
- Suffix 10: 10 7/8" swing spout with aerator
- Suffix VP: Vandal resistant aerator
- Suffix IPS: 1/2" IPS connections
- Suffix LST: 18" copper supply tubes
- Suffix BRS: Radiance® polished brass finish
- Suffix AWT: White finish
- Suffix PCB: Polished chrome and Radiance® polished brass finish



**SYMMONS PRODUCTS MEET  
ANSI A112.18.1M, EPA '92  
AND ALL KNOWN FLOW RATE  
REQUIREMENTS.  
Kitchen and Lavatory Faucets  
2.0 GPM (7.6 L/min)**



Job/Location

Engineer

Contractor

For ADA compliance (Americans with Disabilities Act) consult ADAAG or your state regulations for proper product choice and mounting locations.

SYMMONS INDUSTRIES, INC.

31 Brooks Drive, Braintree, MA 02184-3804

TEL: 1-800-SYMMONS, (781) 848-2250 FAX: 1-800-961-9621, (781) 843-3849

Web site: [www.symmons.com](http://www.symmons.com)